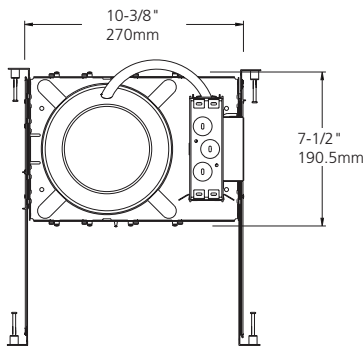
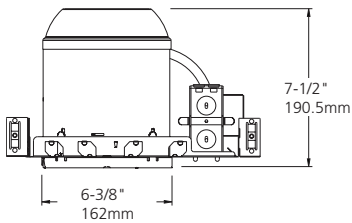
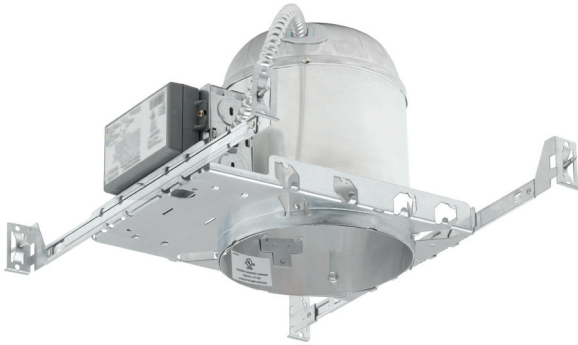


# C613ICAT, C618ICAT, C626ICAT

6" IC Airtight

Compact Fluorescent Housing



**Description:** The C613/18/26ICAT is a 6" IC, airtight, 120V compact fluorescent downlight housing, specifically designed to provide the contractor with the best value CFL downlight.

**Application:** Ideal for tract and manufactured housing construction, C613/18/26ICAT can also be used for most light commercial and residential applications where insulated ceilings require an IC rated downlight that exhibits high energy efficiency.

**Trim:** Trims use coil or torsion springs to attach to housing and provide a snug fit against the ceiling plane.

**Approvals:** UL/CUL Damp Location Listed. IC listed for direct contact with insulation. Air tight tested to ASTM E283 standards. Meets State of Washington and California Title 24 Restricted air flow requirements.

**Housing:** Small footprint, 22 gauge galvanized platform for rigid support. Snap-on J-box doors provide easy access for wiring and field inspection. Housing adjusts up to 1-1/2" to accommodate different ceiling thicknesses. Ceiling gasket is supplied with housing.

**Installation:** Pre-installed bar hangers with locking screws, integral nail, and alignment tab for wood joist construction. Hangers accommodate ceiling joists of up to 24 inches on-center. Captive bar hangers secure housing in place and can be reoriented 90° to housing.

**Lamps:** Housing socket plate adjusts vertically for various lamp sizes. For use with one G24q-1/GX24q-1 13W, G24q-2/GX24q-2 18W. G24q-3/GX24q-3 26W quad tube or triple tube lamp. Lamp supplied by others.

**Electrical:** Injection molded sockets (vented). 120V electronic ballast.

## HOUSINGS

C613ICAT  
C618ICAT  
C626ICAT

## TRIMS



**6102W**  
White Full Baffle



**6102B**  
Black Full Baffle



**6402W**  
White Cone



**6032A**  
Regressed Albalite Lens\*



**6013A**  
Flush Albalite Lens\*

\*Triple tube lamp only  
Wet location